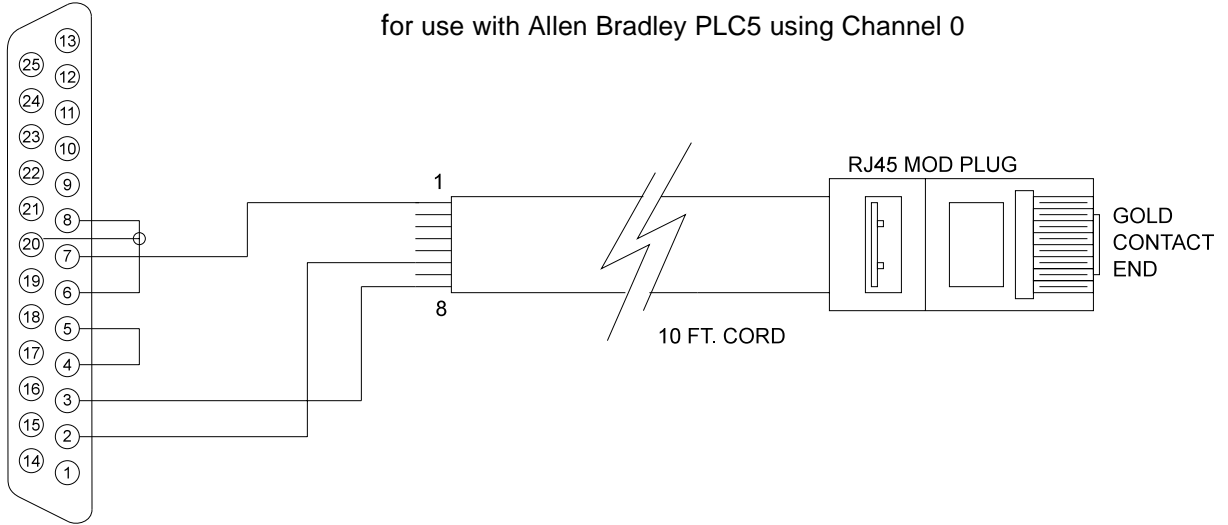


# C.7 RACO VAB5-CO Serial Cable Connection Diagram

REAR (SOLDER SIDE) OF DB25P (MALE) CONNECTOR



25 Pin Connector Pin-Out		
2	RXD	Data to VB (or Gateway)
3	TXD	Data from VB (or Gateway)
7	SGND	Signal Ground