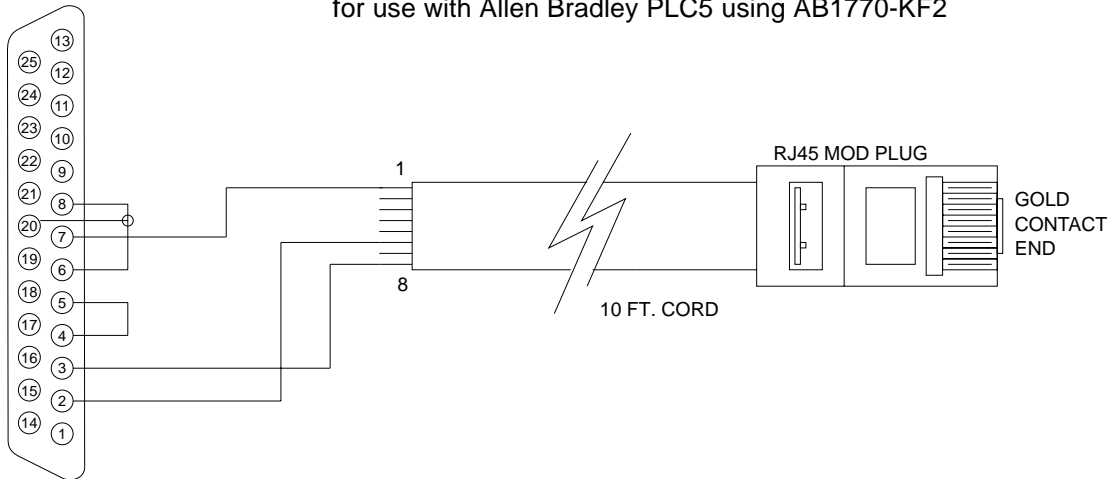


# C.9 RACO VAB5-KF Serial Cable Connection Diagram

REAR (SOLDER SIDE) OF DB25S (FEMALE) CONNECTOR



| 25 Pin Connector Pin-Out |      |                           |
|--------------------------|------|---------------------------|
| 2                        | RXD  | Data to VB (or Gateway)   |
| 3                        | TXD  | Data from VB (or Gateway) |
| 7                        | SGND | Signal Ground             |