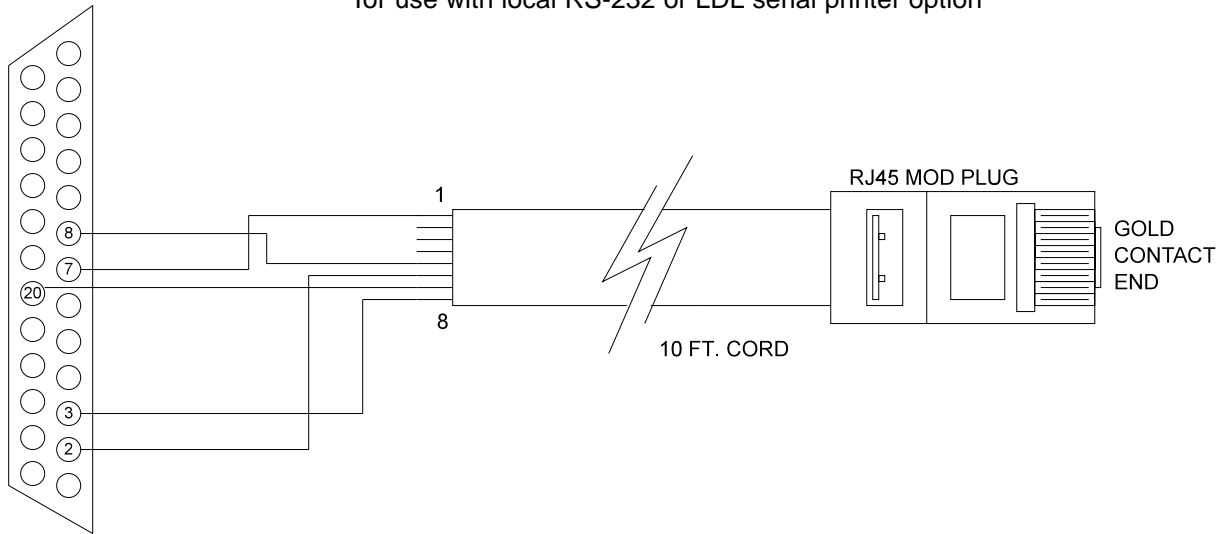


C.1 RACO VSER-01 Serial Cable Connection Diagram

REAR (SOLDER SIDE) OF DB25P (MALE) CONNECTOR

for use with local RS-232 or LDL serial printer option



25 Pin Connector Pin-Out

25 Pin Connector Pin-Out		
2	RXD	Data to VB (or Gateway)
3	TXD	Data from VB (or Gateway)
7	SGND	Signal Ground
8	DCD	Carrier Detect - Handshake Out (not used)
20	DTR	Data Terminal Ready - Handshake In (not used)